

PLV/PRV

PRESSURE LOADING VALVE
PRESSURE RELIEF VALVE

G 5/8 – 60 l/h



Installation and
operating instructions PLV



net.grundfos.com/qr/i/96681527

Installation and
operating instructions PRV



net.grundfos.com/qr/i/96681525



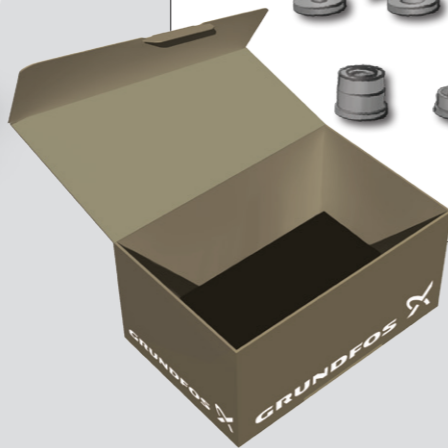
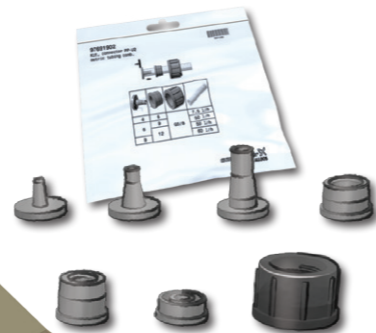
PLV



1x (2x)



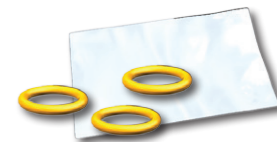
2x



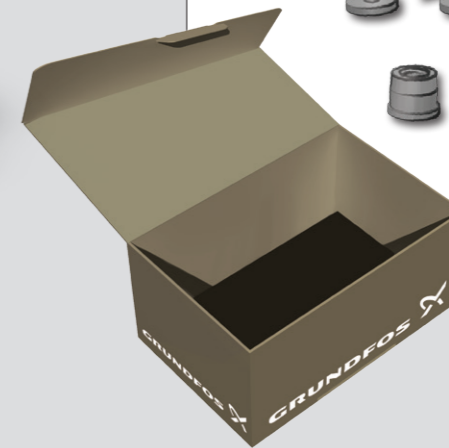
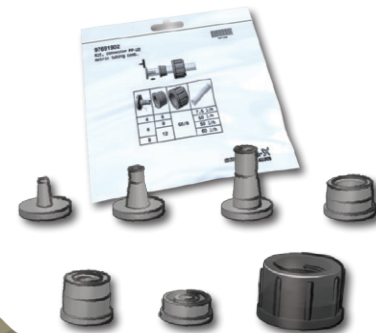
PRV



1x (2x)



3x





	SS / PVDF	PVC / PP
 < 10 bar (< 145 psi)	-10 °C – +40 °C (14 °F – 104 °F)	0 °C – +40 °C (32 °F – 104 °F)
10 – 16 bar (145 – 232 psi)	-10 °C – +20 °C (14 °F – 68 °F)	0 °C – +20 °C (32 °F – 68 °F)

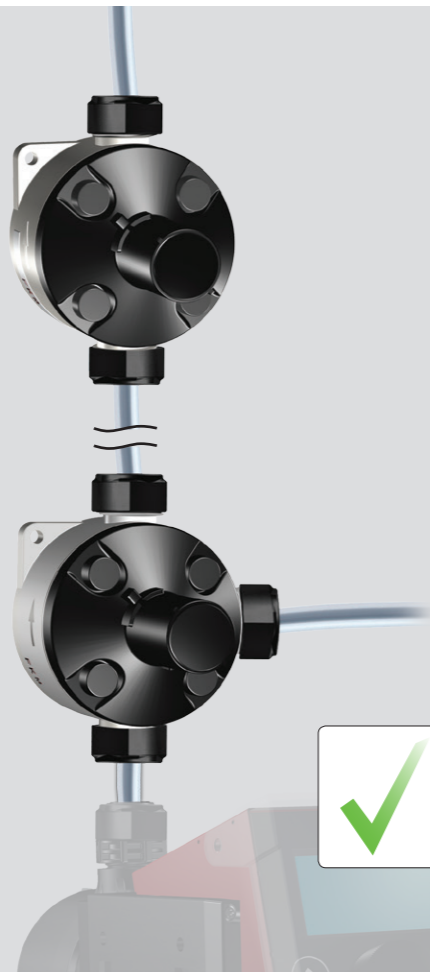


$p_{max} = 16 \text{ bar (232 psi)}$





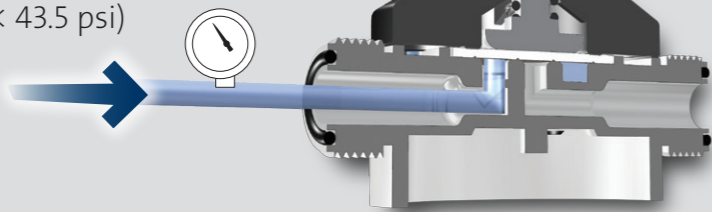
PLV / PRV



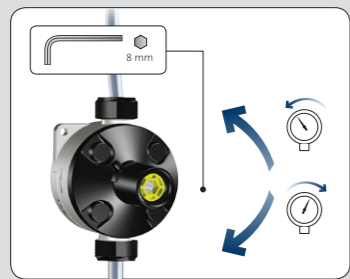
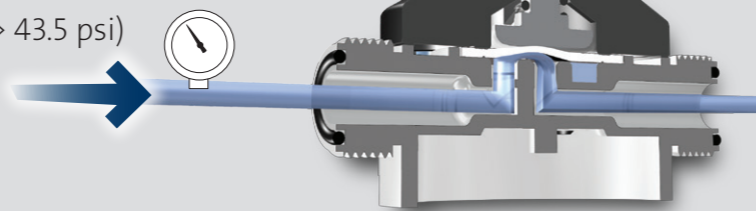


PLV

$p < 3 \text{ bar} (< 43.5 \text{ psi})$

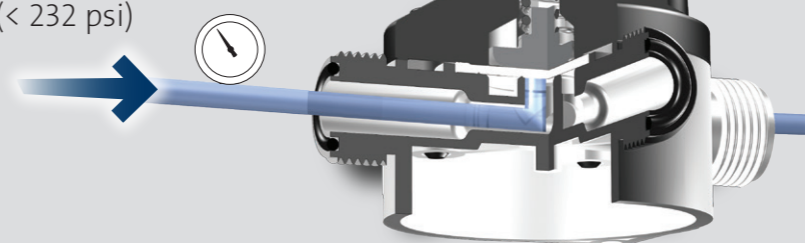


$p > 3 \text{ bar} (> 43.5 \text{ psi})$

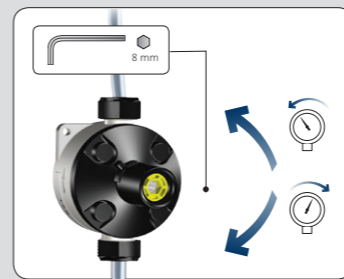
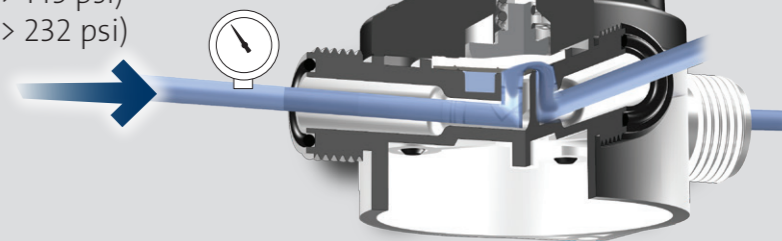


PRV

$p < 10 \text{ bar} (< 145 \text{ psi})$
 $p < 16 \text{ bar} (< 232 \text{ psi})$

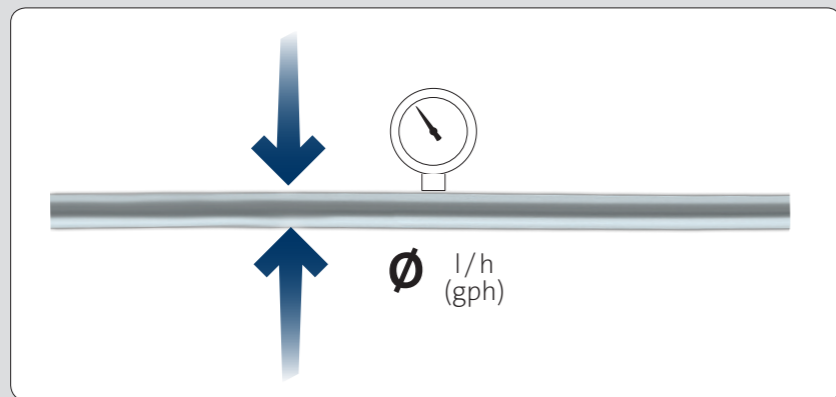
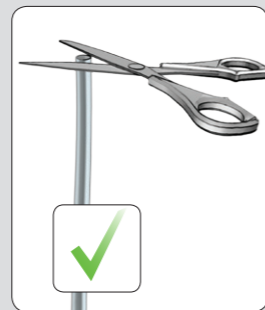


$p > 10 \text{ bar} (> 145 \text{ psi})$
 $p > 16 \text{ bar} (> 232 \text{ psi})$

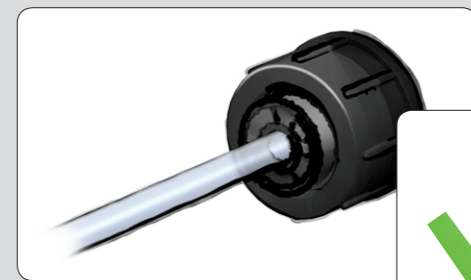
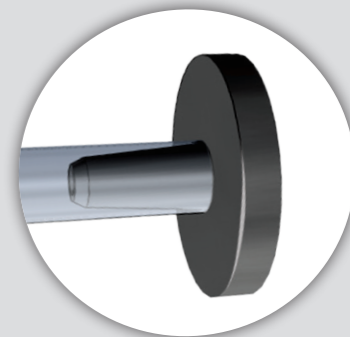
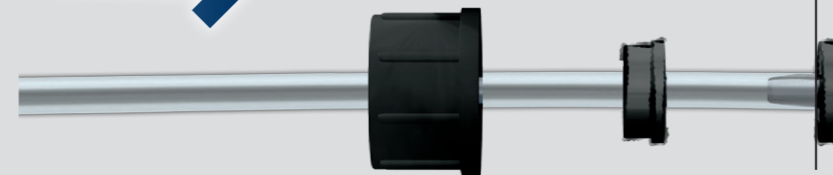
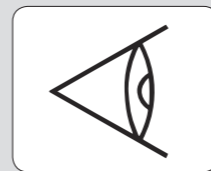




1



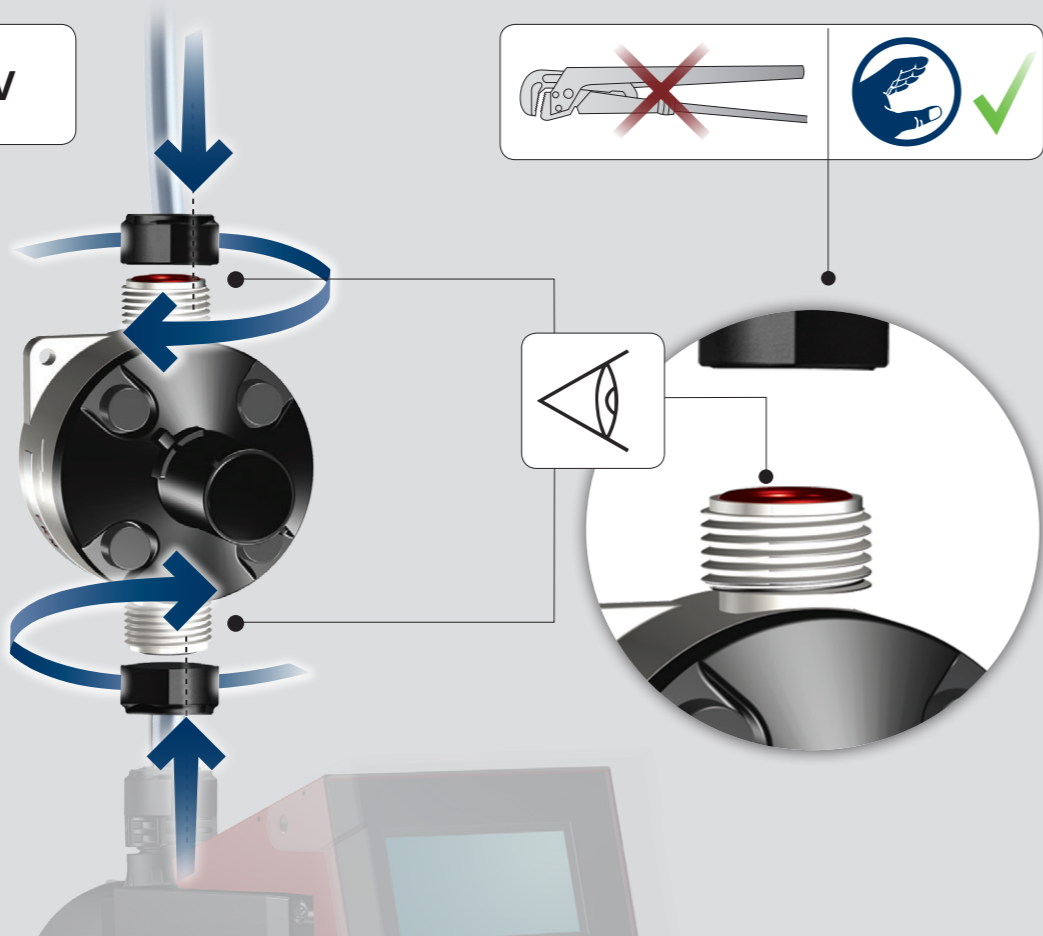
2



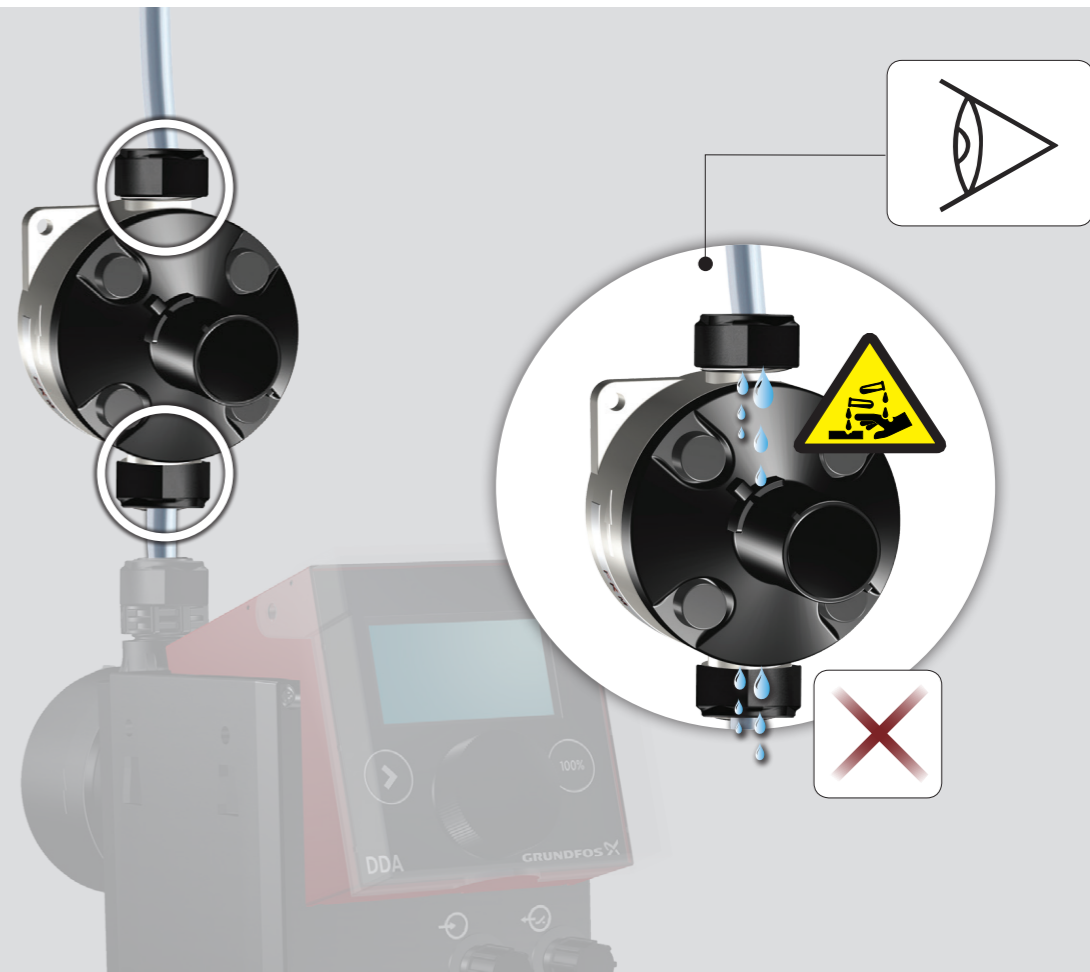
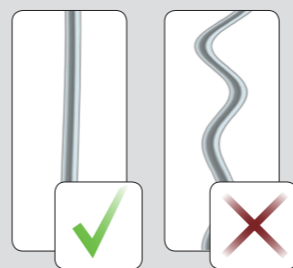


3a

PLV



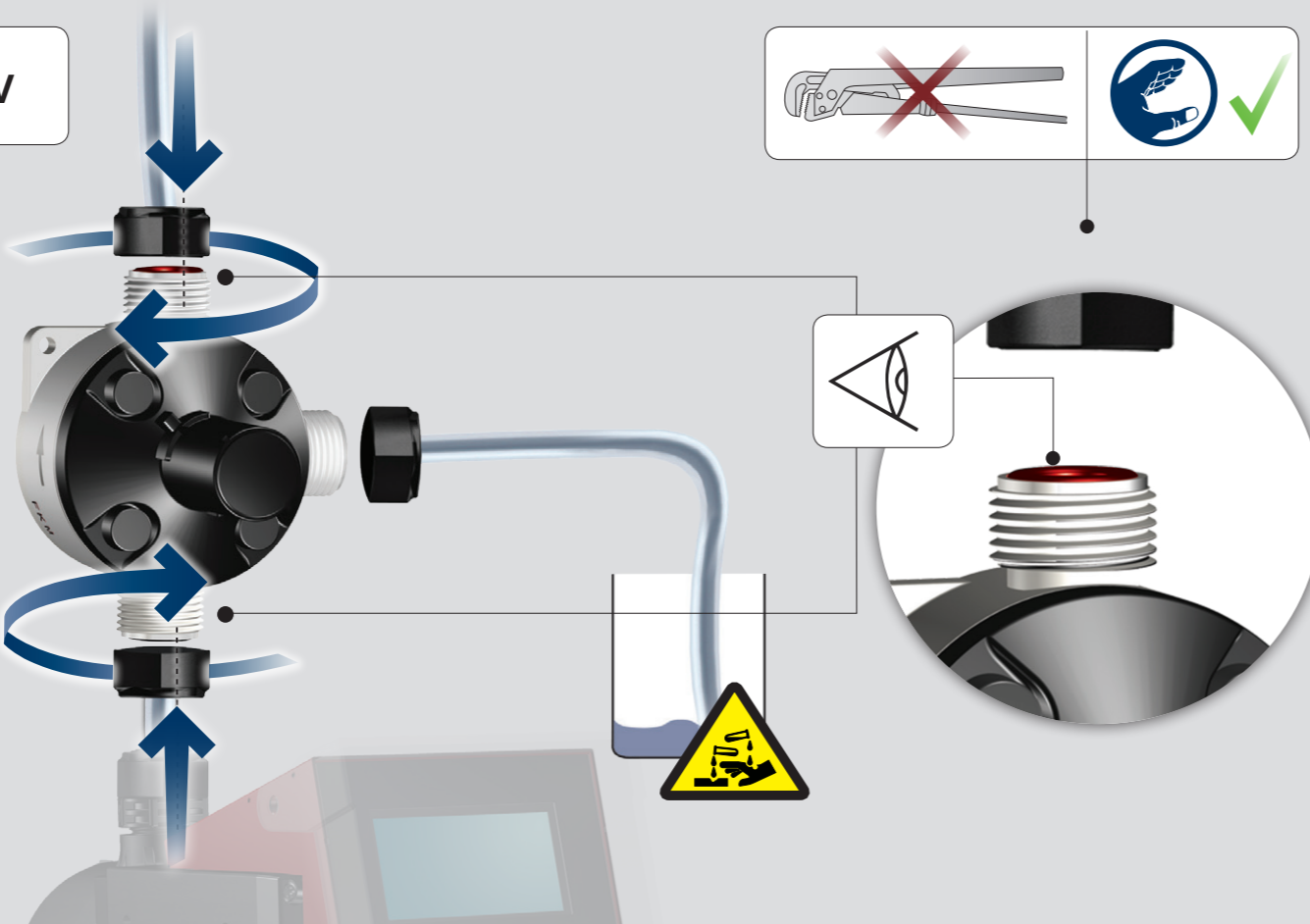
4a



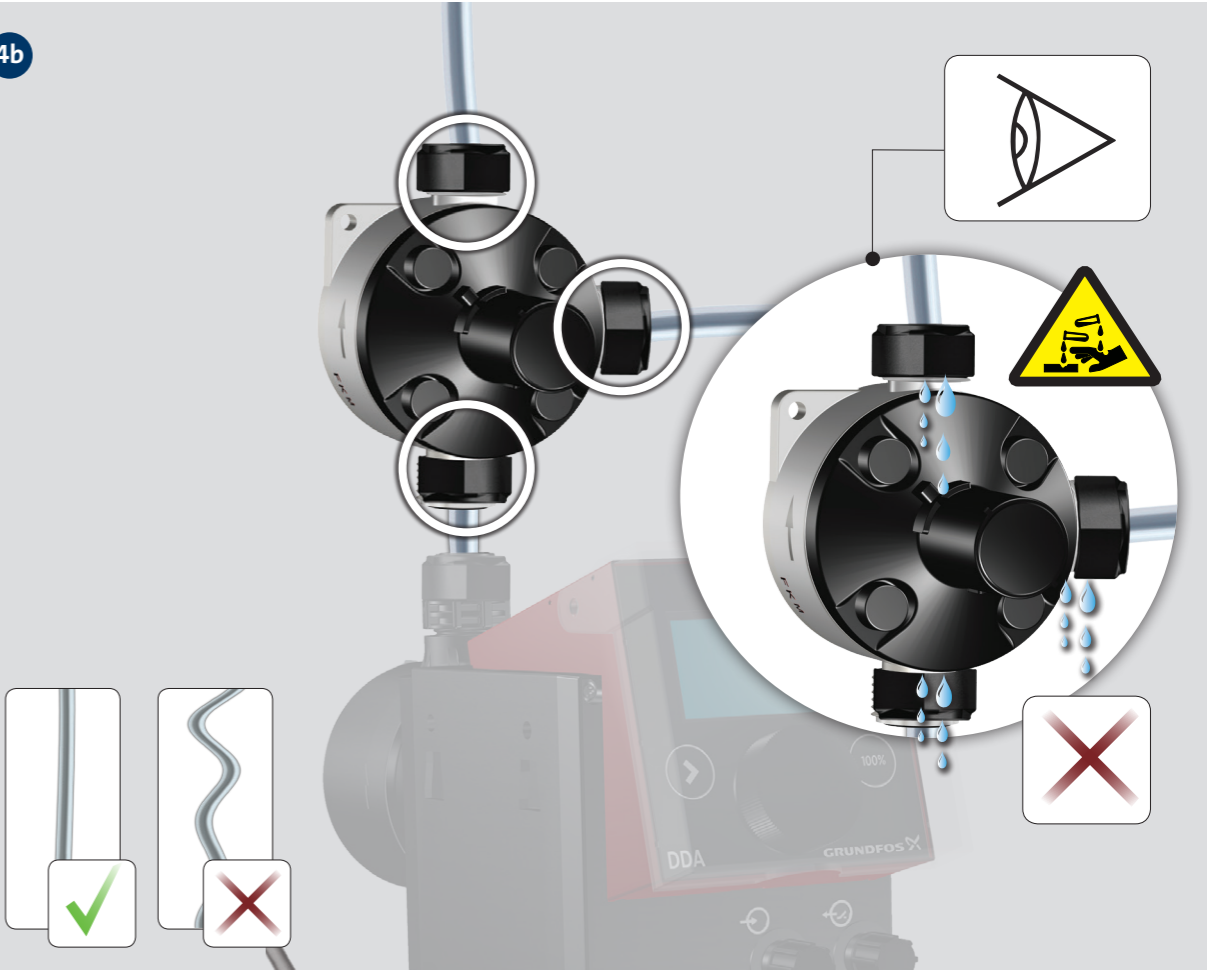


3b

PRV

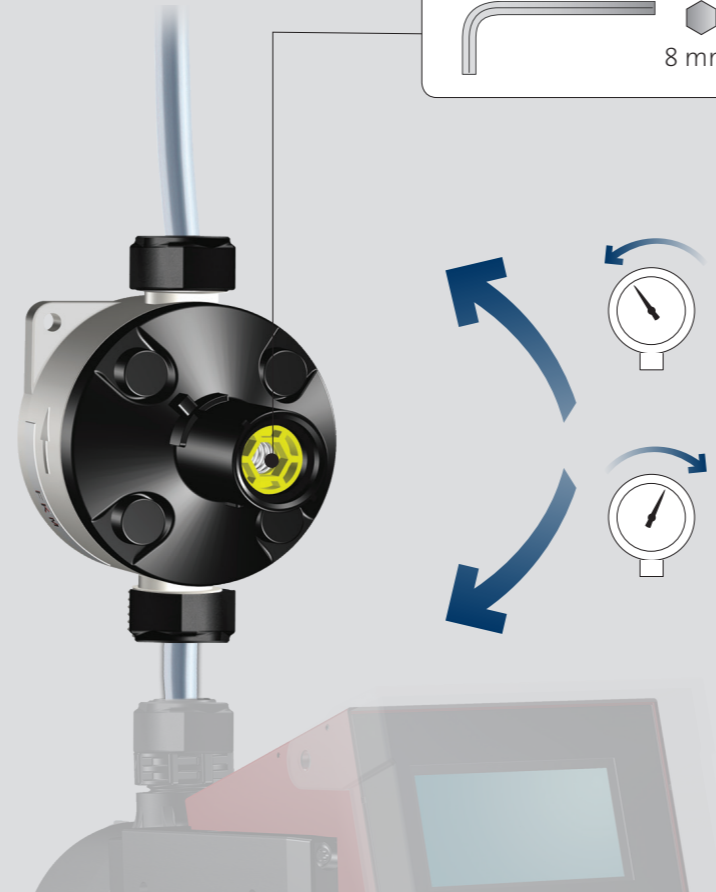
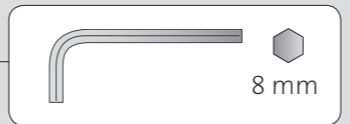
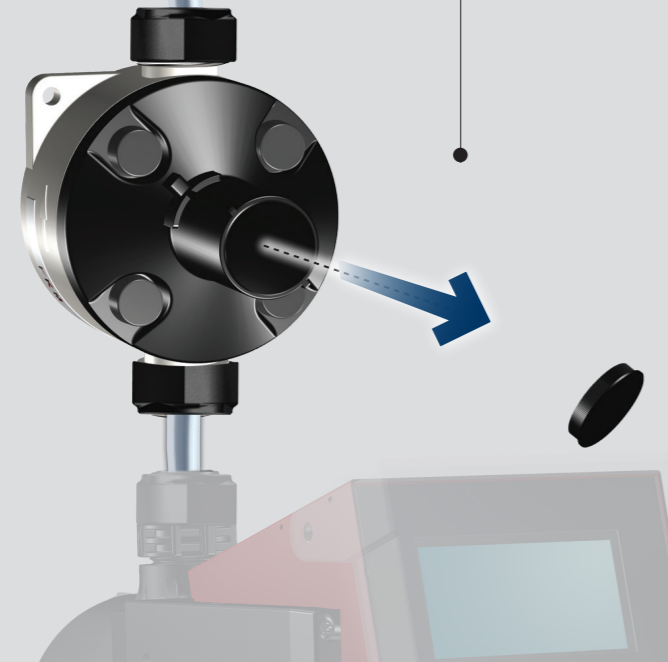
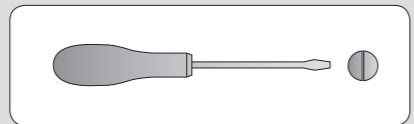


4b





PLV + PRV



Installation and operating instructions PLV

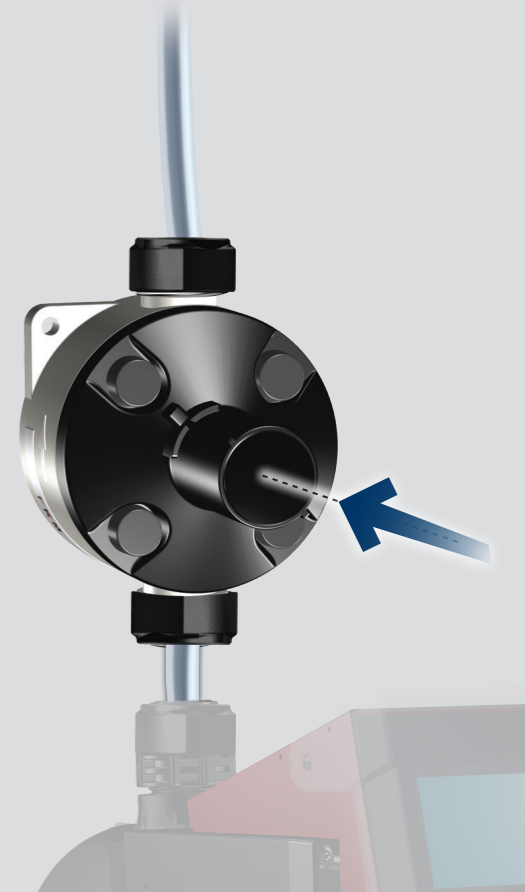


net.grundfos.com/qr/i/96681527

Installation and operating instructions PRV



net.grundfos.com/qr/i/96681525





be think innovate

98028208 0117

ECM: 1203501

GRUNDFOS Holding A/S
Poul Due Jensens Vej 7
DK-8850 Bjerringbro
Tel: +45 87 50 14 00
www.grundfos.com

GRUNDFOS 

The name Grundfos, the Grundfos logo, and be think innovate are registered trademarks owned by Grundfos Holding A/S or Grundfos A/S, Denmark. All rights reserved worldwide.